

TS 2000 NV
TS 2000 NV BC

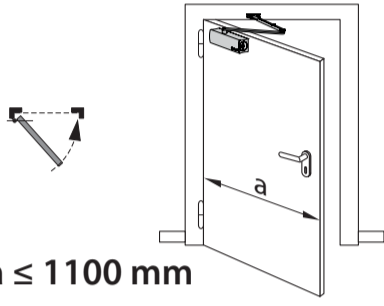


124953-04

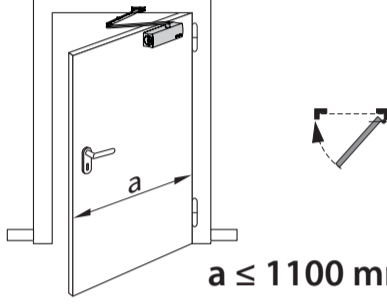


A

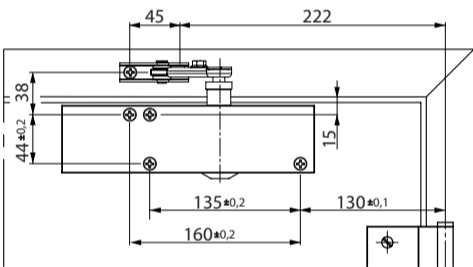
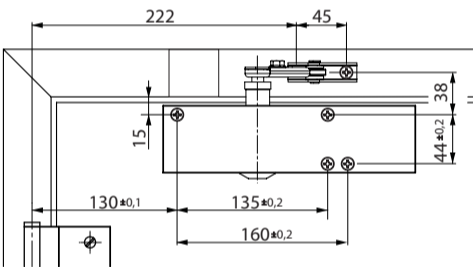
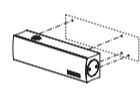
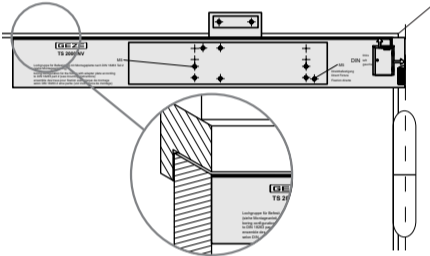
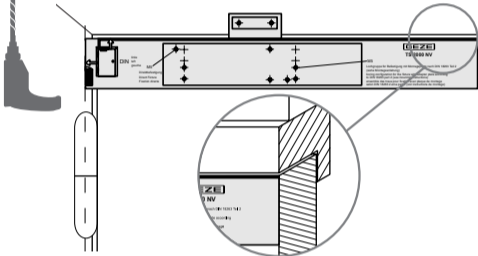
B



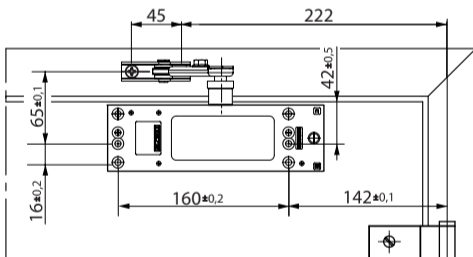
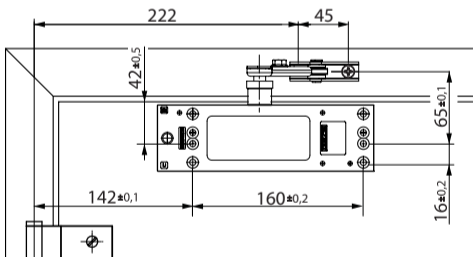
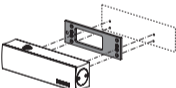
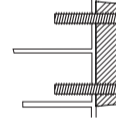
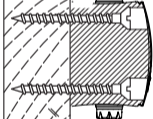
$a \leq 1100 \text{ mm}$



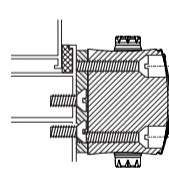
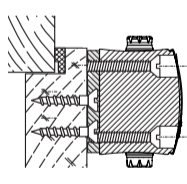
$a \leq 1100 \text{ mm}$



4x
5x70
4x
M5x55

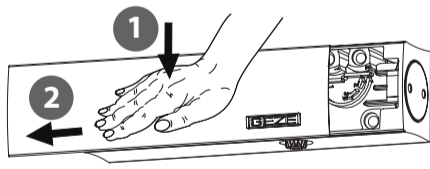


4x
5x35
4x
M5x20

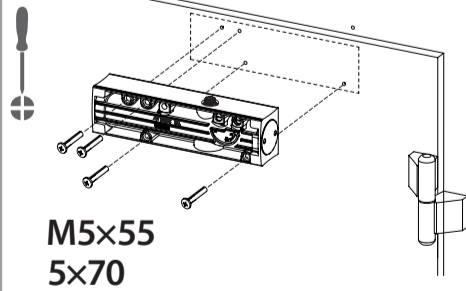


4x
M5x45

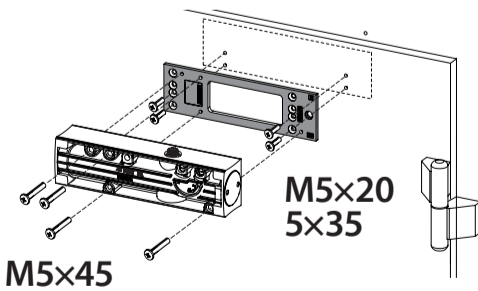
1



2

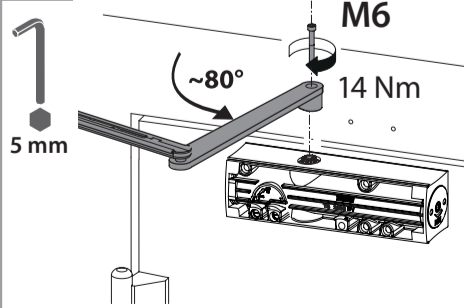


M5x55
5x70



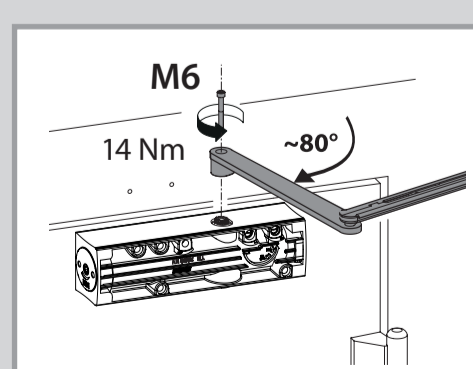
M5x45
5x35

3



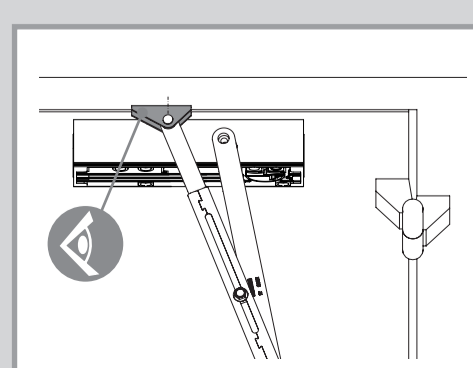
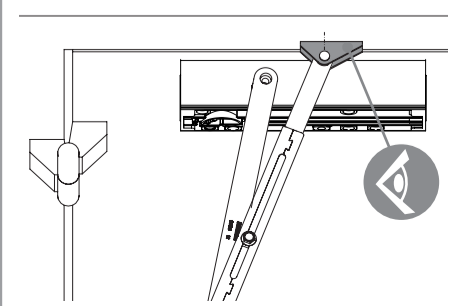
M6
14 Nm

5 mm

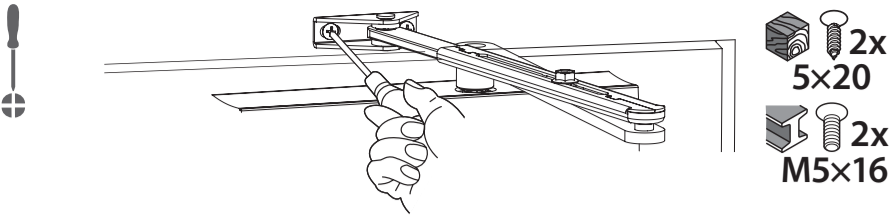


M6
14 Nm

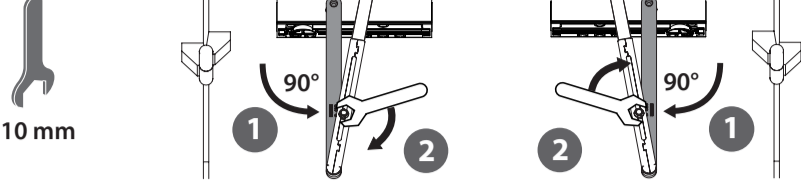
4



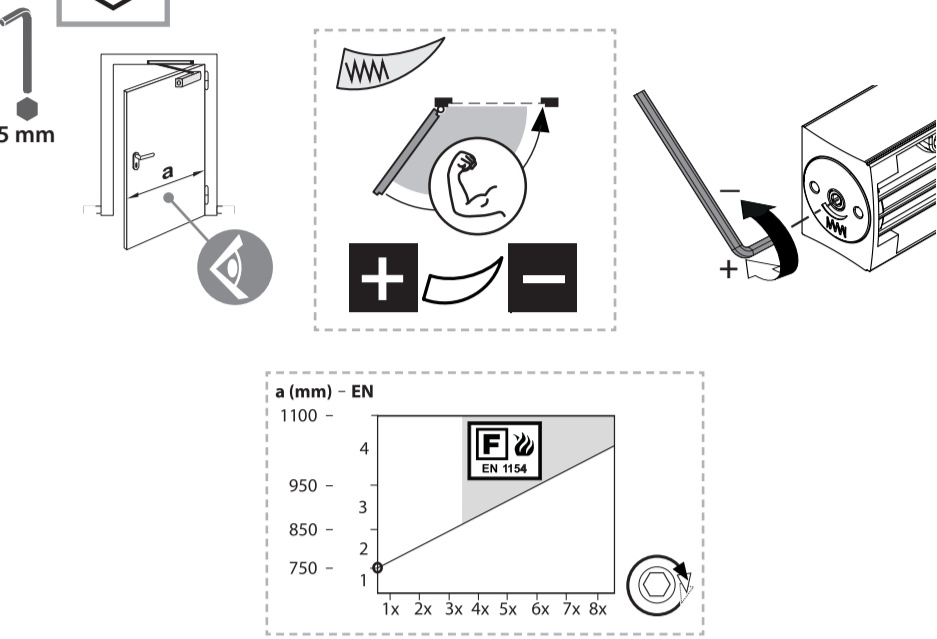
5



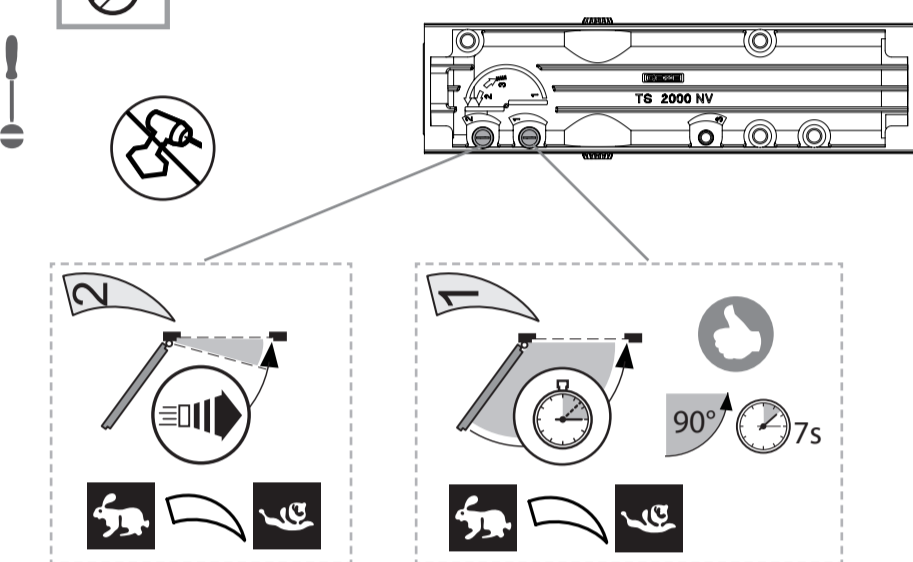
6



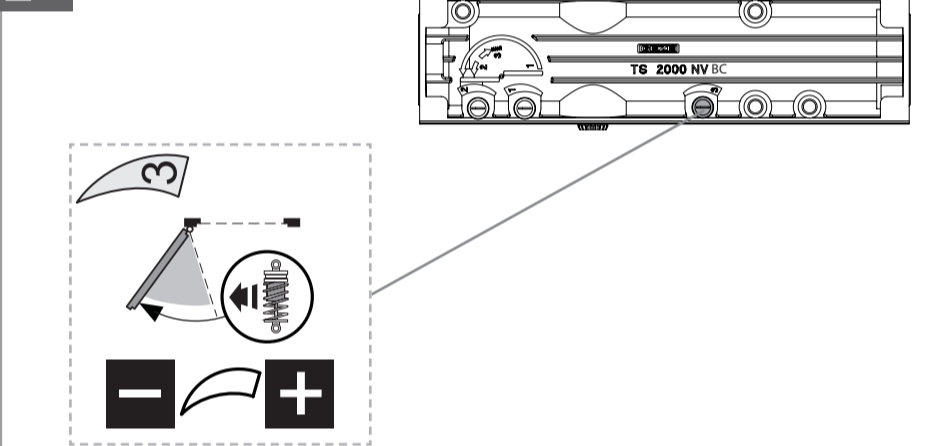
7



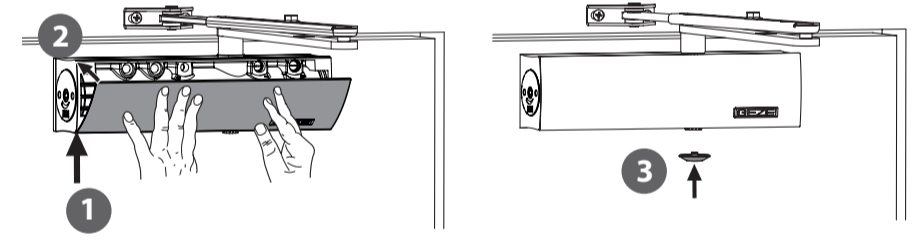
8



i+ TS 2000 NV BC



9



i

